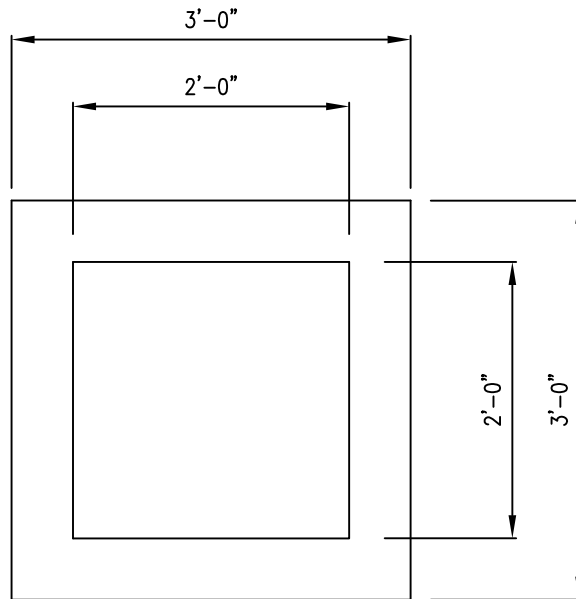


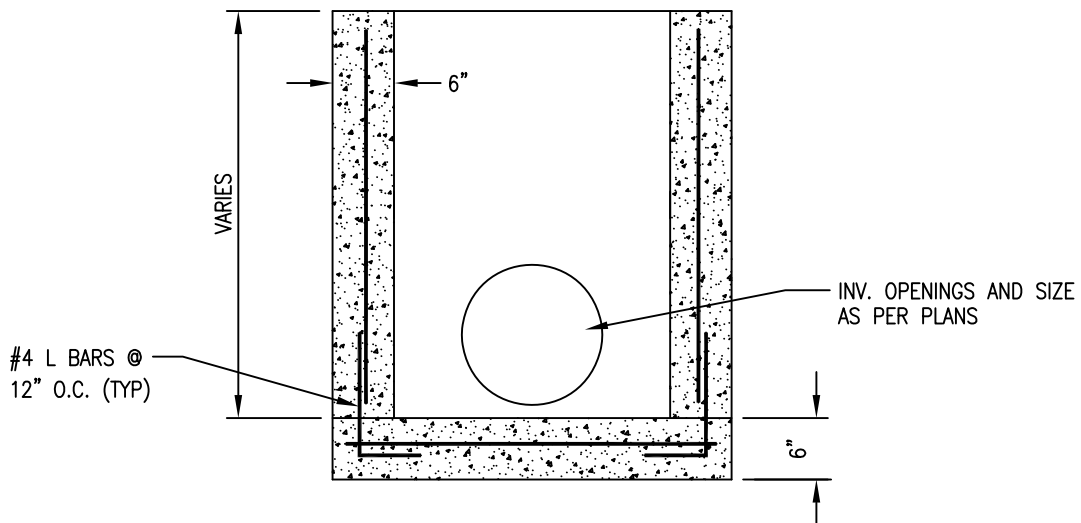
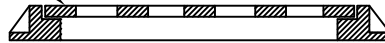
JEFFERSON CONCRETE CORP.

22850 MURROCK CIRCLE
WATERTOWN, NY 13601
TEL (315)788-4171 FAX (315)788-7958
www.jeffersonconcrete.com

24" x 24"
CATCH BASIN



FRAME AND GRATE
AS SPECIFIED



Section

GENERAL NOTES:

CONCRETE TO BE MIN. 5000 PSI @ 28 DAYS
AIR ENTRAINED 5%-8%
REINFORCED PER N.Y.S.D.O.T. STANDARDS SHEETS 604-5 TO 604-8 (HS-20 LOADING)
REINFORCEMENT ASTM A615

UPDATED 03/28/10