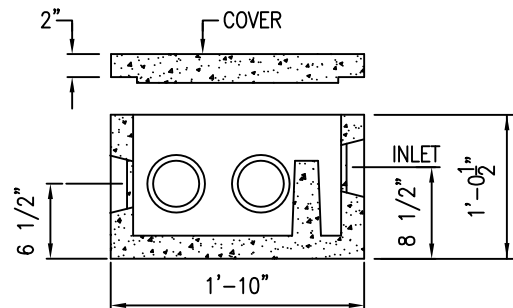
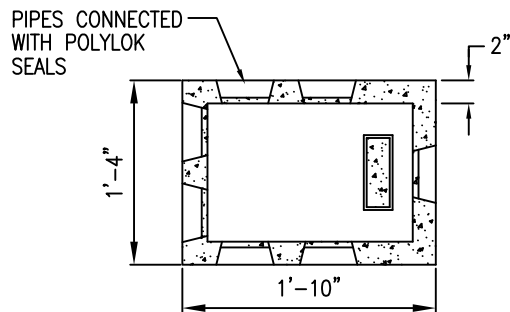
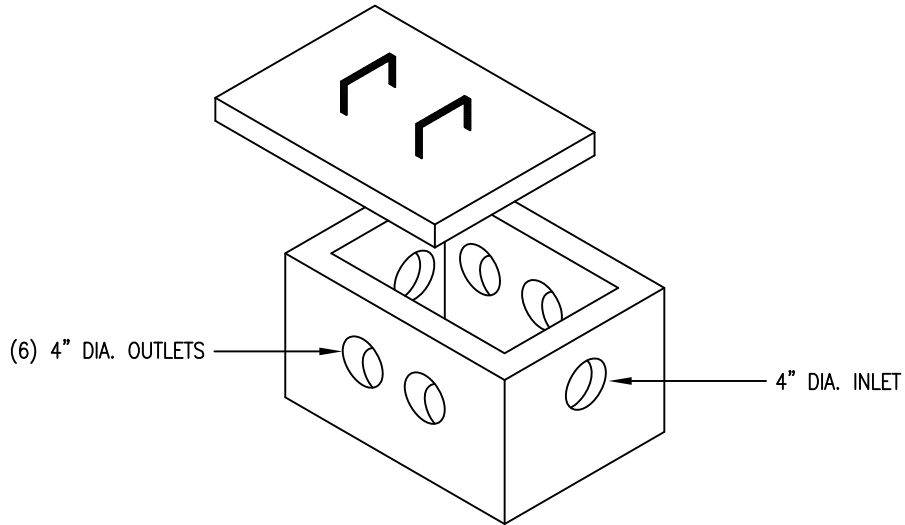


# JEFFERSON CONCRETE CORP.

22850 MURROCK CIRCLE  
WATERTOWN, NY 13601  
TEL (315)788-4171 FAX (315)788-7958  
www.jeffersonconcrete.com

## 6 OUTLET DISTRIBUTION BOX



### GENERAL NOTES:

CONCRETE TO BE MIN. 5000 PSI @ 28 DAYS  
ENTRAINED AIR 5%-8%  
STEEL REINFORCEMENT - ASTM A 615 GRADE 60  
BUILT IN ACCORDANCE TO ASTM C-1227/C913 (300 PSF)

UPDATED 03/28/10