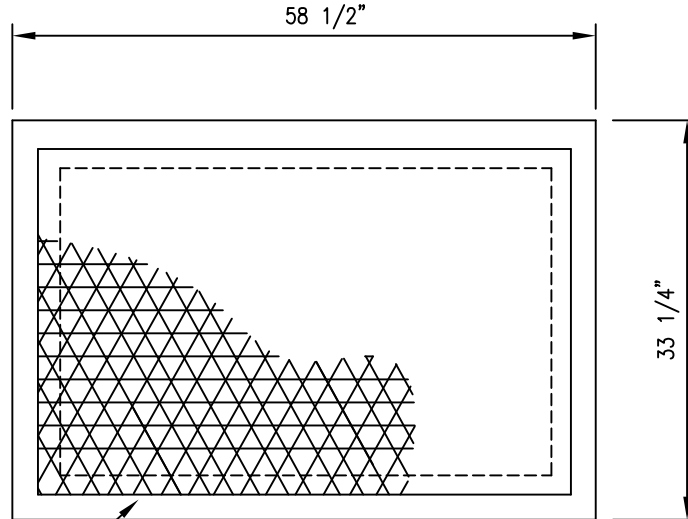


JEFFERSON CONCRETE CORP.

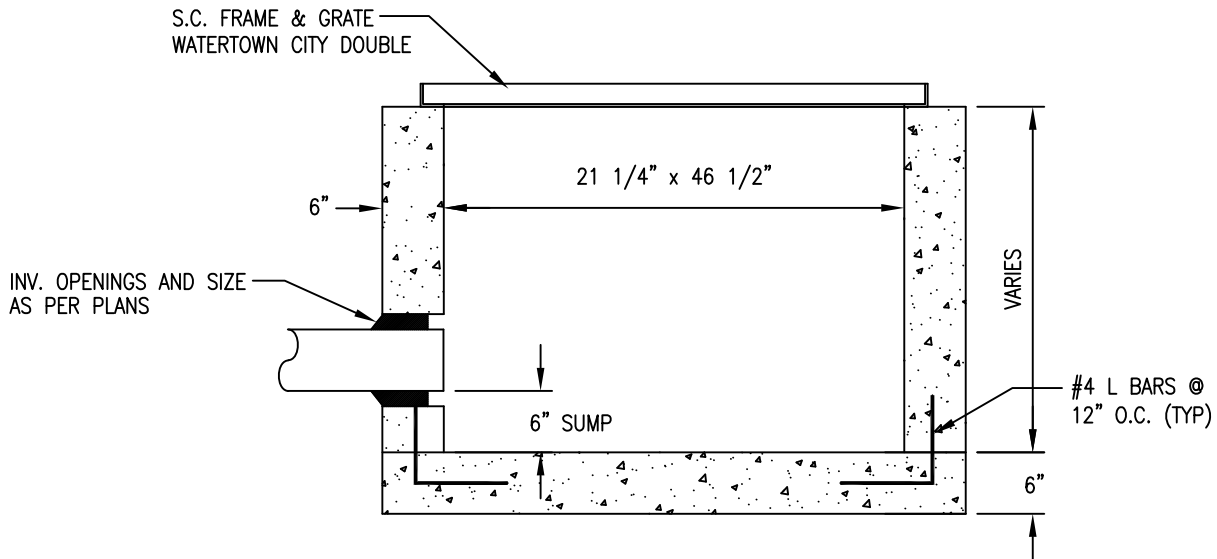
22850 MURROCK CIRCLE
WATERTOWN, NY 13601
TEL (315)788-4171 FAX (315)788-7958
www.jeffersonconcrete.com

CITY OF WATERTOWN CITY DOUBLE CATCH BASIN



S.C. FRAME & GRATE
WATERTOWN CITY DOUBLE

Plan



Section

GENERAL NOTES:

CONCRETE TO BE MIN. 5000 PSI AT 28 DAYS
AIR ENTRAINED 5%-8%
REINFORCED PER N.Y.S.D.O.T. STANDARDS SHEETS 604-5 TO 604-8 (HS-20 LOADING)
REINFORCEMENT ASTM A615

UPDATED 04/08/10