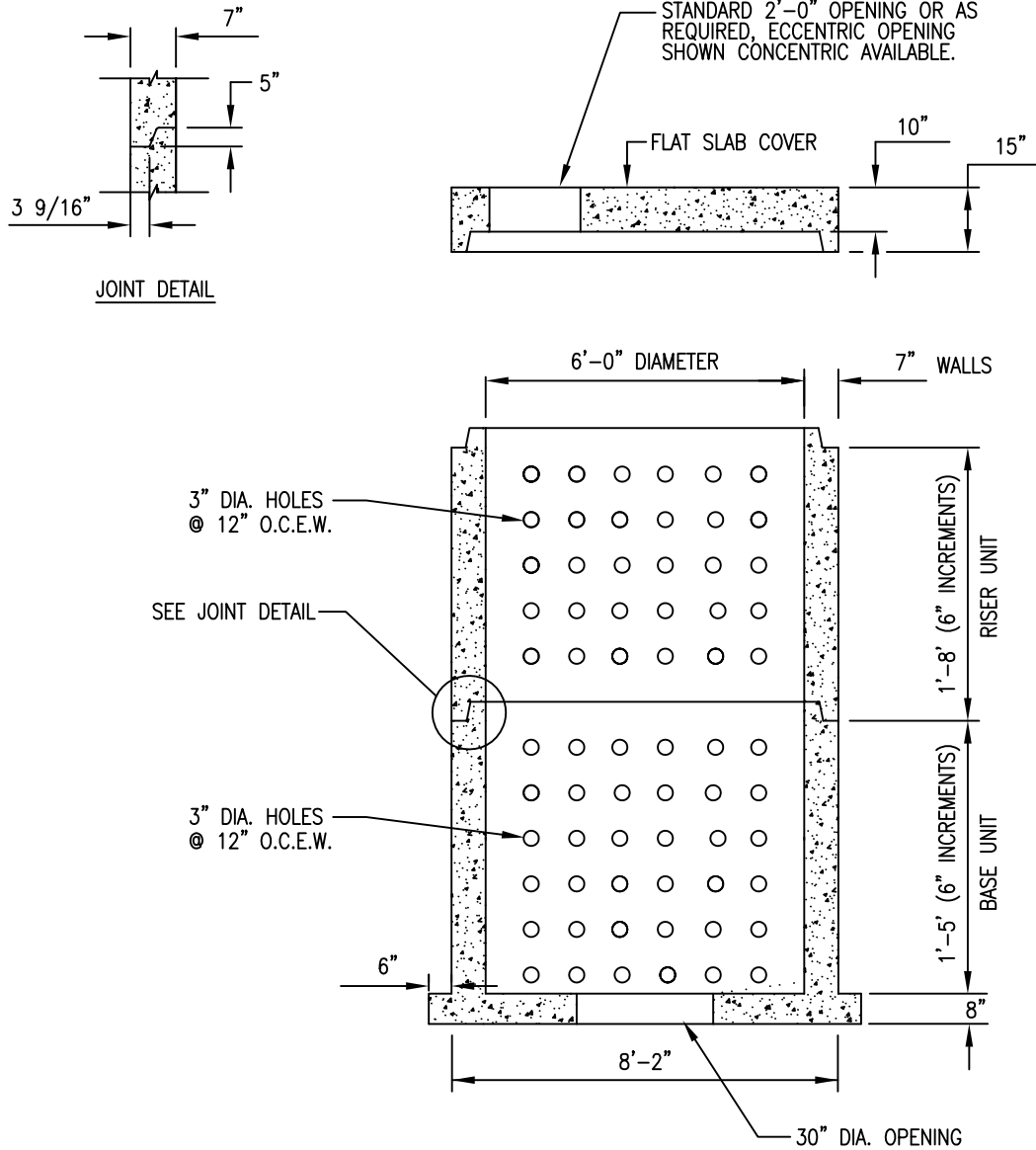


JEFFERSON CONCRETE CORP.

22850 MURROCK CIRCLE
WATERTOWN, NY 13601
TEL (315)788-4171 FAX (315)788-7958
www.jeffersonconcrete.com

72" DIAMETER DRYWELL



GENERAL NOTES:

BUILT IN ACCORDANCE TO ASTM C478
REINFORCEMENT STEEL ASTM A497/A615 GRADE 60 WWF
CONCRETE TO BE MIN. 5000 PSI @ 28 DAYS
AIR ENTRAINED 5%-8%
INVERT LOCATION AND SIZE AS PER PLANS

UPDATED 12/27/10