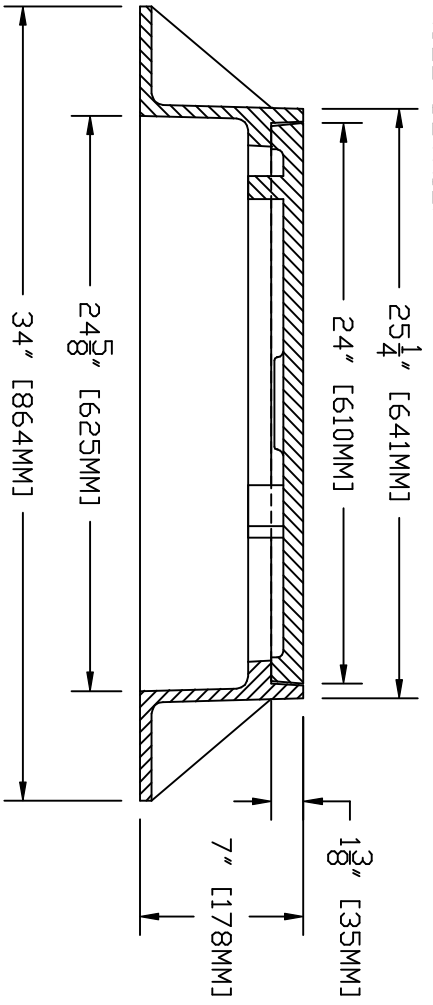


4) $\phi \frac{3}{4}$ " [Ø19MM] HOLES (4)
30" [762MM] C.C.

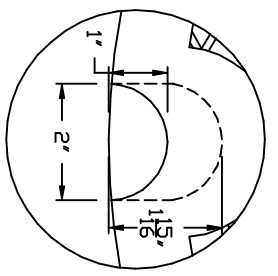


NON-PENETRATING
PICKHOLE
(SEE DETAIL)


SECTION A - A

NOTES:

- 1.) MATERIAL SHALL BE GRAY CAST IRON CONFORMING TO A.S.T.M. A48 (LATEST REVISION) CLASS 30B.
- 2.) UNITS DESIGNED HEAVY DUTY FOR A.A.S.H.T.O. HS20-44 WHEEL LOADS.
- 3.) EACH FRAME AND COVER SHALL HAVE MACHINED HORIZONTAL BEARING SURFACES.
- 4.) DIMENSIONS ARE APPLIED USING SOFT CONVERSION. ALL DIMENSIONS IN BRACKETS ARE MILLIMETERS.



NON-PENETRATING
PICKHOLE
DETAIL

#1032XC FRAME & #1007PC COVER "SANITARY SEWER" - CAST IRON			
DRAWING # 080299-C			
FILE #	1032452XC-1007564PC	DATE: 08/02/99	Revised: 07/16/01
Drawn By: ARO	Revised By: ARO		
			
SYRACUSE CASTINGS SALES CORP. P.O. Box 1821 / 6177 South Boy Rd. Cicero, N.Y. 13039 315-699-2601 Fax # 315-699-2982 www.syrcast.com			