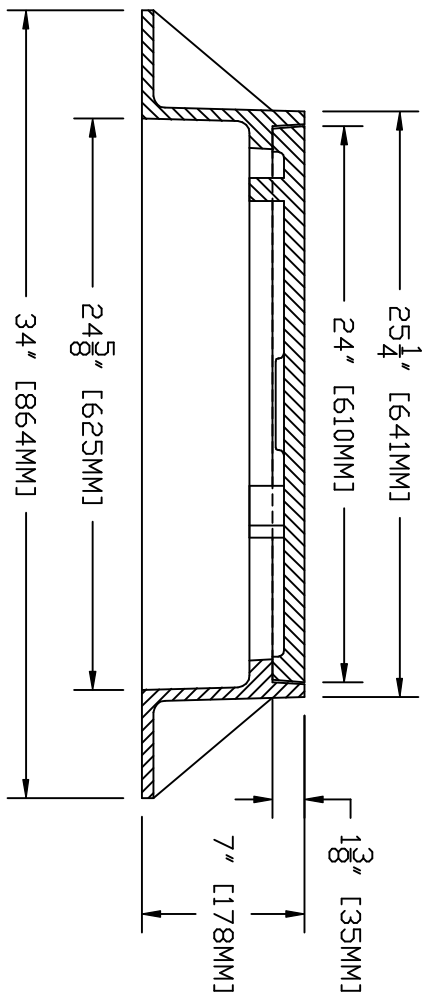


Ø 3/4" [Ø19MM] HOLES (4)  
30" [762MM] C.C.

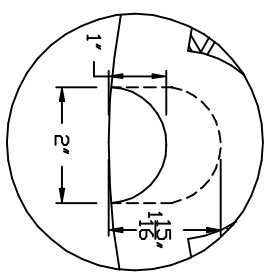
NON-PENETRATING  
PICKHOLE  
(SEE DETAIL)



SECTION A - A

NOTES:

- 1.) MATERIAL SHALL BE GRAY CAST IRON CONFORMING TO A.S.T.M. A48 (LATEST REVISION) CLASS 30B.
- 2.) UNITS DESIGNED HEAVY DUTY FOR A.A.S.H.T.D. HS20-44 WHEEL LOADS.
- 3.) EACH FRAME AND COVER SHALL HAVE MACHINED HORIZONTAL BEARING SURFACES.
- 4.) DIMENSIONS ARE APPLIED USING SOFT CONVERSION. ALL DIMENSIONS IN BRACKETS ARE MILLIMETERS.



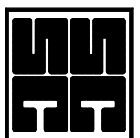
NON-PENETRATING  
PICKHOLE  
DETAIL

#1032XC FRAME & #1007PC COVER  
"STORM" - CAST IRON

DRAWING # 080299-1

FILE # 1032452XC-1007521PC

Drawn By: ARO	DATE: 08/02/99	Revised By: ARO	Revised: 07/16/01
---------------	----------------	-----------------	-------------------



SYRACUSE CASTINGS SALES CORP.  
P.O. Box 1821 / 6177 South Boy Rd.  
Cicero, N.Y. 13039  
315-699-2601 Fax # 315-699-2982  
www.syrcast.com